



SELF keynote

FKFT, 16 July 2008

Science, Education and Learning in Freedom

Wouter Tebbens - w.tebbens@staff.isoc.nl



Why are we not all using it?

Factors holding back the adoption of Free Software:

lack of awareness

perceived lack of (internal) technical support

lack of qualified teachers

lack of educational and training materials
(fragmentation)



SELF Project (I)

SELF project objectives:

to bring together interested parties to exchange edu materials on FS & OS

develop a platform for the collaborative creation of edu materials on FS & OS

to raise awareness and contribute to the building of critical mass for the use of Free Software and Open Standards.



SELF Founding Partners



GÖTEBORG UNIVERSITY



Sharing Knowledge about Free Software



What has SELF produced?

Open Standards for SELF

Legal Policy

Study of existing educational materials and
inclusion in the platform

Quality assessment framework

Platform definition and development

...

 <http://selfproject.eu/en/project/results>
Sharing Knowledge about Free Software

what is the SELF Platform?

SELF is an online platform

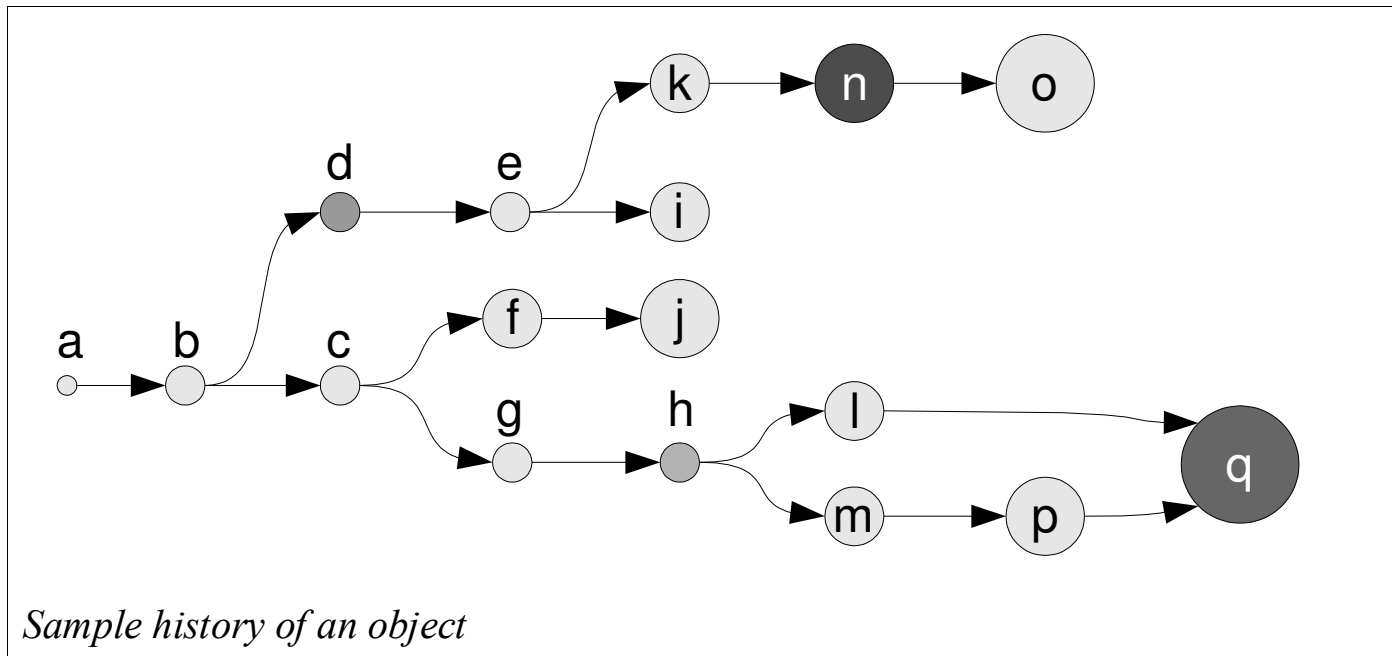
The screenshot displays the SELF Platform interface. At the top, there is a navigation bar with 'Home', 'Courses', and 'Members' on the left, a search box in the center, and 'Accessibility' and 'Contact' on the right. Below this, the user 'nagarjuna' is logged in, with a 'logout' link. The breadcrumb trail reads: 'You are here : Courses > Miscellaneous > OpenOffice.org 2.x UserGuide > Lessons > View > Copyright and trademark information'. The main content area is divided into two panels. The left panel, titled 'Lessons', shows a table of contents for 'OpenOffice.org 2.x UserGuide' with 'Copyright and trademark information' selected. The right panel, titled 'view', displays the 'Copyright and trademark information' page, which includes the Public Documentation License (PDL) text and a 'Feedback' section. The interface also features a version control system at the bottom of each panel, with a dropdown menu for the left panel showing versions v9.1 through v9.4.



Sharing Knowledge about Free Software

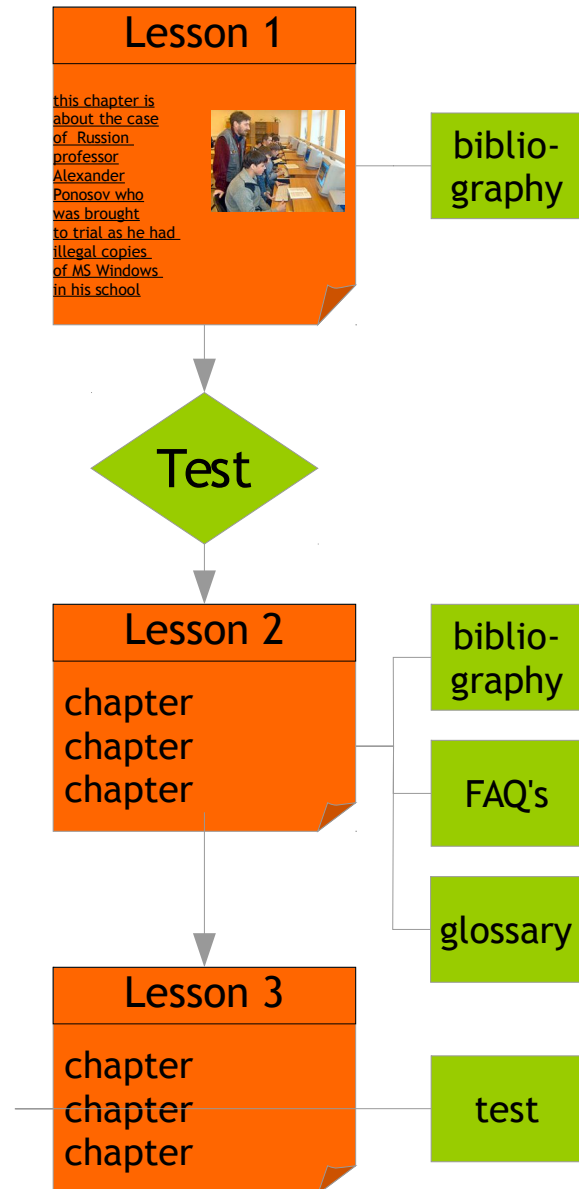
what is the SELF Platform?

SELF is an online platform
for the collaborative creation, remixing and
translation



what is the SELF Platform?

SELF is an online platform for the collaborative creation, remixing and translation of learning materials



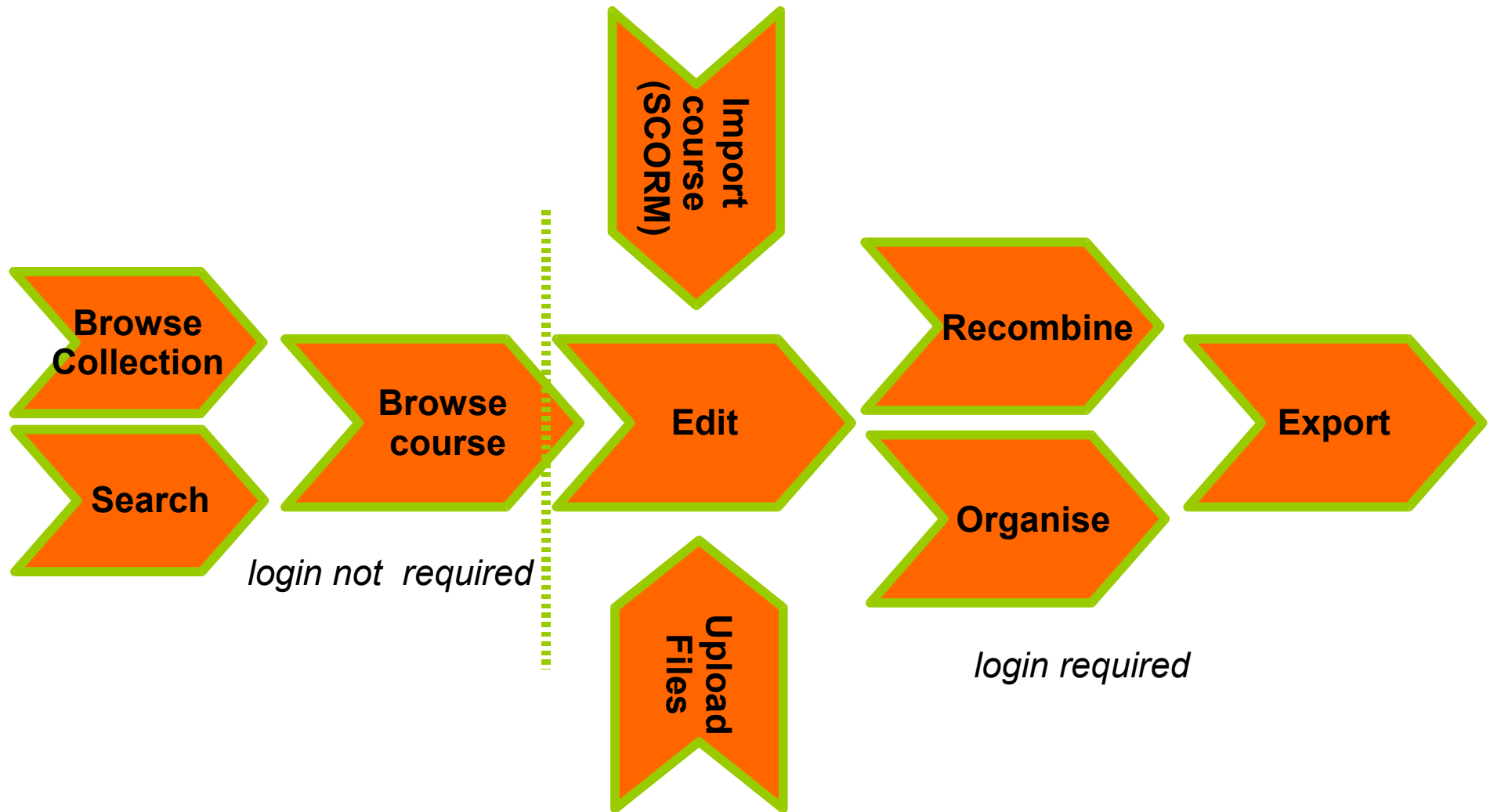
what is the SELF Platform?

SELF is an online platform
for the collaborative creation, remixing and
translation
of learning materials
that can be exchanged with other platforms

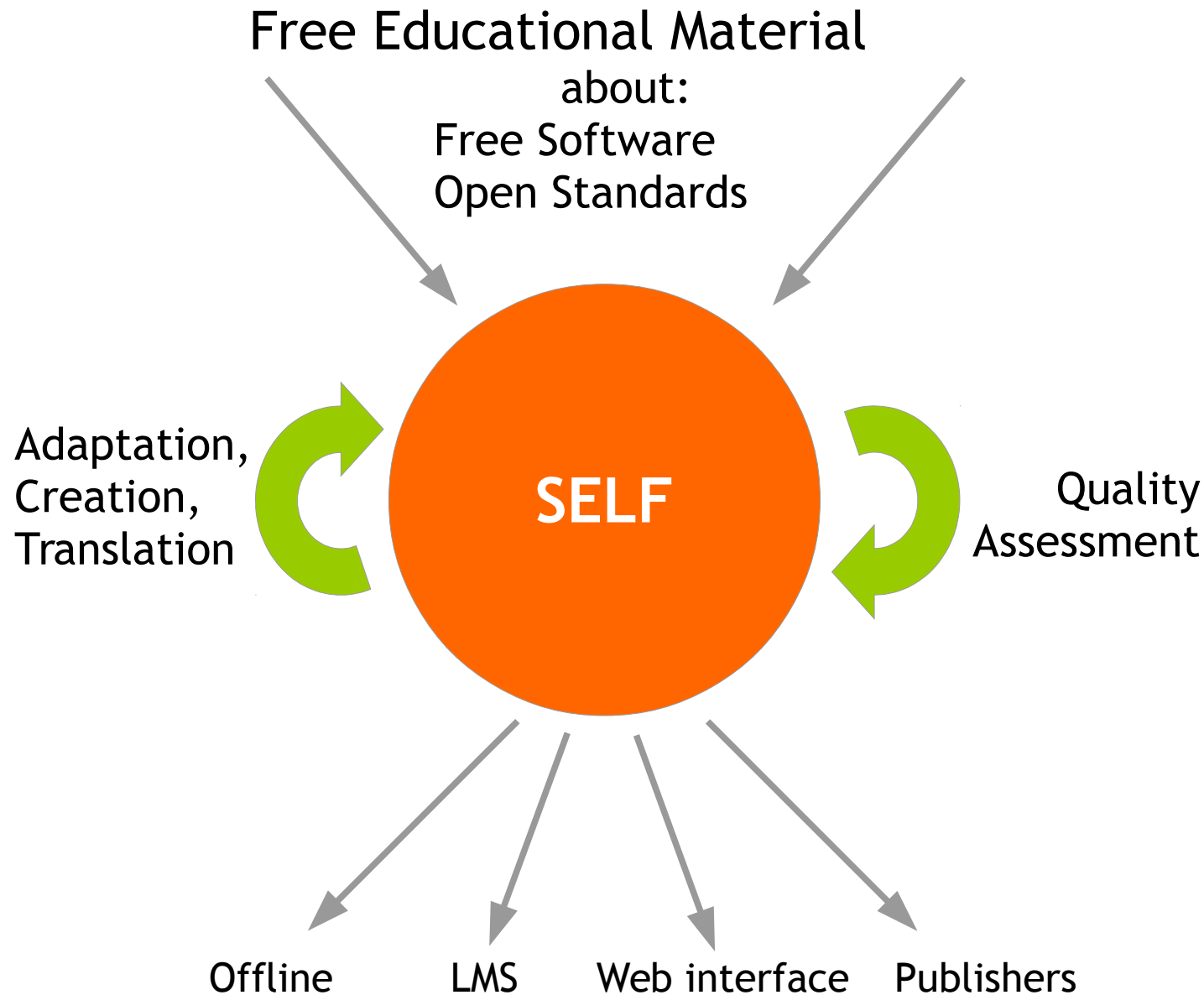
SCORM: Shareable Content Object Reference Model



SELF Workflow



repository & collaborative production



Sharing Knowledge about Free Software

Where is the SELF platform?

The platform software is as free software available at Savannah:

<http://savannah.nongnu.org/projects/self-platform>

SELF Beta platform: <http://beta.selfplatform.eu>



Where is the SELF project now?

The project: funding by the EC is over

The project – phase II: community



Sharing Knowledge about Free Software

SELF Community



Sharing Knowledge about Free Software

Future of SELF

People participating in:

platform development

server maintenance

creation and improvement of Learning Materials

quality assessment: further research

maintenance and application of legal policies

communication



Be SELFish, share your knowledge!

SELF is in continuous development. It needs your help!

Try out the Platform

Communicate your possible contribution

Project website: <http://SELFproject.eu>

SELF mailinglists: <http://mail.selfproject.eu>

Happy knowledge sharing! Enjoy the FKFT!



Sharing Knowledge about Free Software